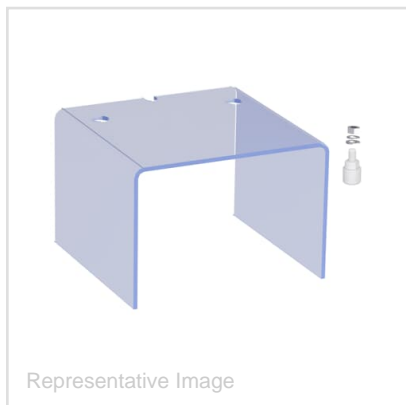


Alternate Catalog No. LT200E
Catalog No. 1SAX501904R0001
Description: LT200E Terminal Shroud
UPC No 4013614332999
Home > Contactors & Starters > Overload Relays

LT200E Terminal cover for E200DU



Representative Image

Descriptors

Category	Overload Relays
----------	-----------------

Specifications

Product Name	Terminal Shroud
Suitable For	E200DU EF205
Ambient Air Temperature	Storage -25 ... +70 °C Operation -25 ... +70 °C
RoHS Status	Following EU Directive 2002/95/EC August 18, 2005 and amendment

Classifications

ETIM 5.0	EC002498 - Accessories for low-voltage switch technology
ETIM 6.0	EC002498 - Accessories for low-voltage switch technology
ETIM 7	EC002498 - Accessories for low-voltage switch technology
eClass	7.0 27379201
ETIM 4	EC002498 - Accessories for low-voltage switch technology

Dimensions

Product Net Width	100 mm
Product Net Height	69 mm
Product Net Weight	0.085 kg
Product Net Depth / Length	95 mm

Package Information

Package Level 1 Units	1 piece
Package Level 1 Width	203 mm
Package Level 1 Depth / Length	86 mm
Package Level 1 Gross Weight	0.145 kg
Package Level 1 EAN	4013614332999
Package Level 1 Height	119 mm

Ordering

ECN	N
Customs Tariff Number	39269097
ECCN	N
ABB MDF Code	2EA - Thermoplastic Molded Parts